

# OSBORNE Hog Feeders



# FENCELINE ADAPTER

Assembly Instructions for:

## RN3 AND RN4 SERIES

U.S. Patent No. 4,353,329, 4,462,338 & 6,199,511  
Patented Canada 1984. Others worldwide

(Part Numbers FF-00RN3A, FF-00RN4A, FF-00RN3AS, and FF-00RN4AS)

Your Osborne Big Wheel Fenceline Adapters are packaged carefully and compactly to ensure their safe arrival at minimum cost. Each part was quality inspected prior to shipment and each carton was carefully packed to ensure that all necessary parts were present for the assembly.

### UNPACKING

Upon receiving your shipment, check the cartons for handling damage in transit. ALERT THE DELIVERING CARRIER IMMEDIATELY if damage is discovered. Continue unpacking only after the carrier has acknowledged the damage and potential loss of contents.

### NOTICE

All loss or damage in transit is the responsibility of the delivering carrier, NOT OSBORNE INDUSTRIES. To protect your rights in the event of damage or loss, **sign the delivery waybill only after the carrier has acknowledged in writing that damage or loss has occurred.** In the event that damage is revealed only after unpacking is complete, notify the delivering carrier immediately and request an inspection of the damaged merchandise before proceeding.

Locate the Inspection List and retain this with the waybill. Identify all parts with the Parts List (below) as they are unpacked and compare with the Inspection List. Once all parts have been identified, inspected for freight damage, and counted, proceed to assembly.

Item No.	Qty.	Part No.	Part Name
1.	1	KF-N3A001	RN3 Fenceline Adapter Frame
*		KF-N3AS01	
*		KF-N4A001	RN4 Fenceline Adapter Frame
*		KF-N4AS01	
2.	1	KF-N3A002	Bolt Kit
*		KF-N3AS02	
2a.	1	RFB-2050	5/16-in. x 7/8 in. Bolt
*		RFB-2061	5/16-in. x 1 in. Bolt, S.S.
2b.	1	RFN-2300	5/16 in. Hex Nut WZ FLG
*		RFN-2101	5/16 in. Hex Nut, S.S.
2c.	* 1	RFW-2301	5/16 in. Spring Lock Washer S.S.
Note:	*	-	(Applies to stainless steel adapter assembly only.)

### ASSEMBLY INSTRUCTIONS

Before attempting to install the fenceline adapters on the feeder, check to determine if the ends of the feeder crossbar are aligned above one of the divider bars located on the trough divider. (See Figure 1.) This is important since the fenceline adapter attaches to the divider bar and fastens to one of the holes provided in the crossbar. If the crossbar is not positioned appropriately, remove and relocate to the position outlined above.

Locate a fenceline adapter and attach it to the trough divider bar aligned below the end of the crossbar. This is achieved by tilting the top of the fenceline adapter away from the feeder and twisting the U-shaped horseshoe around the base of the divider bar. (See Figure 2.) Insure the divider bar is between the flat and the angle parts located on the fenceline adapter.

Secure the fenceline adapter by gently pushing the top of the fenceline adapter toward the center of the feeder. Align the hole in the fenceline adapter with the hole provided in the crossbar. Insert a 5/16-in. x 7/8-in. bolt into the aligned holes and fasten using a 5/16-in. nut. Repeat for other side. **NOTE:** Some older feeders may not have a hole provided in the crossbar for mounting of the fenceline adapter, so a hole will need to be drilled into the feeder crossbar. This is achieved by first

insuring the fenceline adapter is plumb and square. Using the hole in the fenceline adapter as a guide, drill a 3/8-in. diameter hole into the crossbar.

Place the feeder in the fenceline between two properly spaced posts or other immobile objects. Attach the adapters to the rigid fenceline using the holes provided.

### DO NOT:

1. Fasten fence panels directly to the feeder.
2. Use the feeder as a support or anchor for other objects.
3. Rely on the fenceline adapters to hold the feeder in place. (Always use correct hold-down brackets to secure the feeder to the floor).

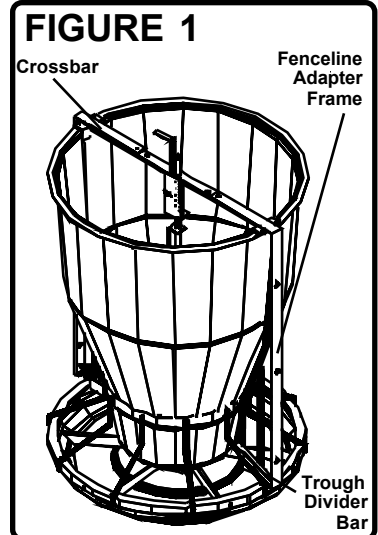


FIGURE 1

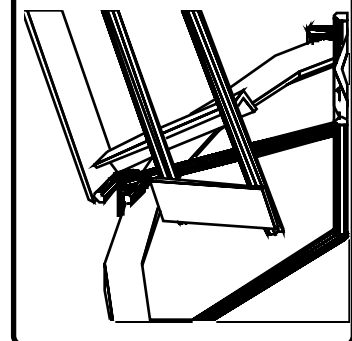


FIGURE 2

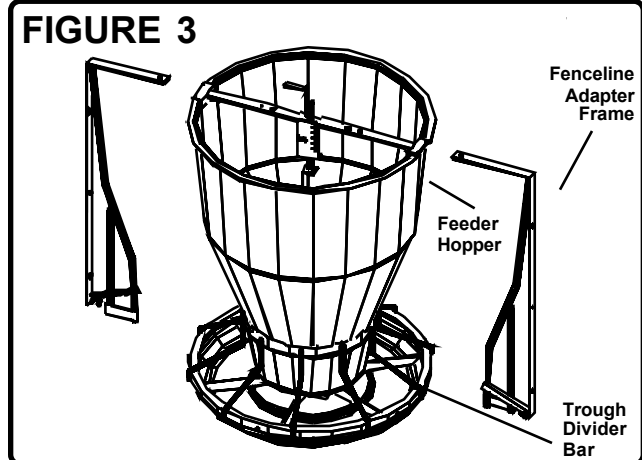


FIGURE 3