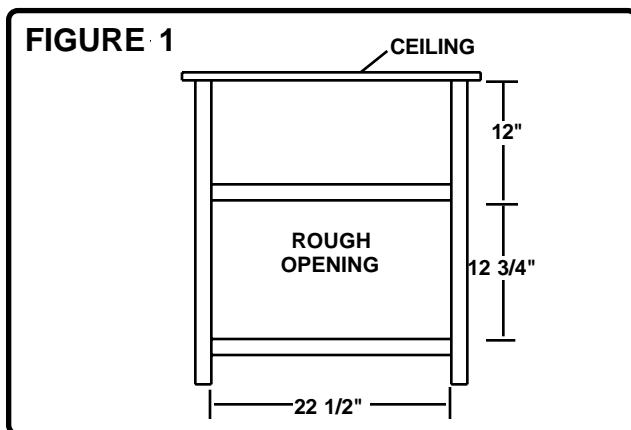
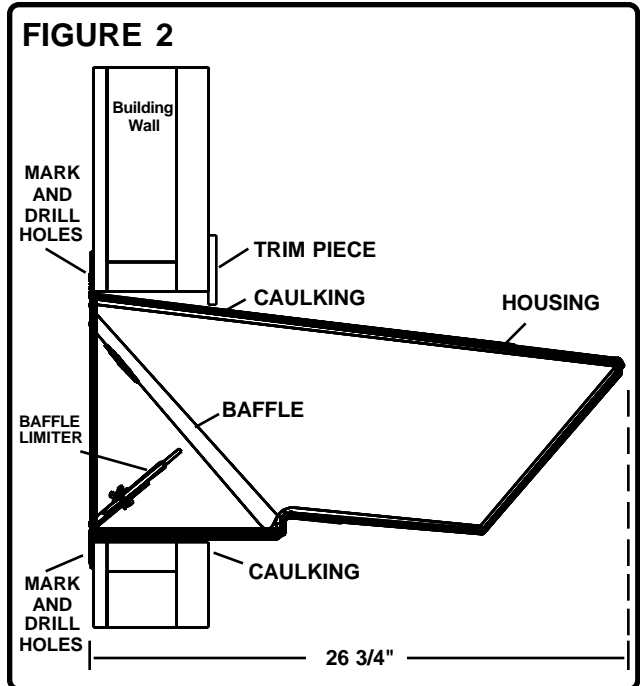


1. Construct a rough opening of 12 3/4-in high by 22 1/2-in wide as shown in **Figure 1**. The recommended location for the rough opening is approximately 12-in. below the ceiling in the room to provide optimum air distribution and mixing. Provide a flat, smooth surface for mounting the wall inlet.



2. Insert the wall inlet into the rough opening.
3. Mark screw locations on the fiberglass mounting flange and predrill holes before installing screws.
4. Fasten the inlet to the wall using screws in the predrilled locations.
5. Use caulking around the outside of the inlet to prevent moisture entry as shown in **Figure 2**. Large gaps can be trimmed with steel, wood or other material prior to caulking.
6. **Wall Inlet Baffle Limiter for Wintertime Operation**
The wall inlet is equipped with a baffle limiter, shown in **Figure 3**, which is designed to control the inlet baffle movement where direct wind exceeding 20 mph may effect inlet performance during wintertime minimum ventilation use. The limiter can be adjusted to allow a range of baffle openings from the closed position to the fully open position. Adjust the black plastic slide to the desired position (see "Setting Wintertime Baffle Limiter") and lock in place by tightening the wing nut against the slide.



Setting Wintertime Baffle Limiter

When the fans in the room are running at minimum winter speed with no wind, move the plastic slide to within about 1/4-in from touching the baffle while it is in operation. With the slide in this position, the baffle is allowed to open slightly beyond its minimum winter operating position to provide additional airflow as needed by the ventilation system, but it is prevented from opening and from over-ventilating the room owing to direct wind effects. The slide should be kept in this position throughout the winter months.

Note: The baffle limiter is not needed in the spring, fall, or summer. When the outside temperatures begin to rise, adjust the slide back to allow the baffle to open completely.

